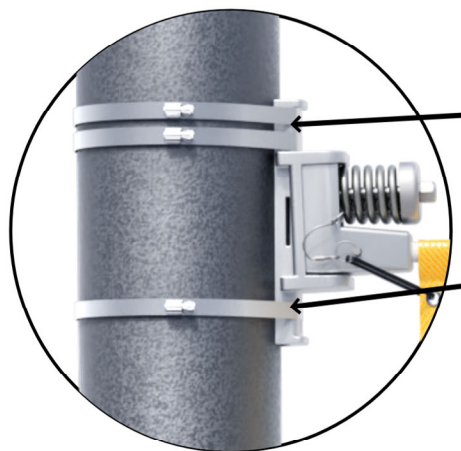


# Pivoting Banner Pole Installation



At minimum, you should install 2 straps on "outer" or spring side of the unit. This is where the most tension is on the unit. You can have 1 or 2 straps on the "inner" side.

or

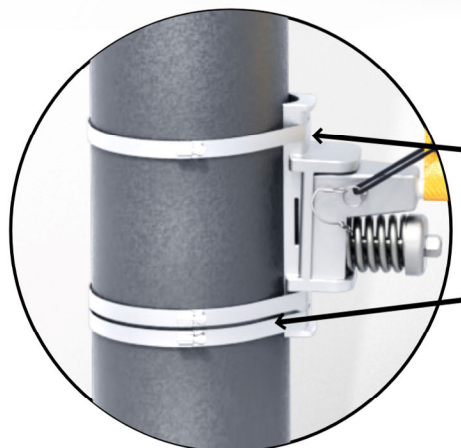


On The top mount, note that the spring side is on the "outer" portion **above** the pole

## Mounting to Pole

First, band top bracket to streetlight pole, insert banner pole and hang banner at top. Before mounting bottom unit to pole, insert pole through bottom pole pocket and lock pole into bottom unit with pin. It will be "hanging." Now, strap bottom unit to pole, but before tightening straps, make sure banner is pulled down tight. Add zip ties through top and bottom grommet holes on banner and tighten around the ring on pole pin. Trim off excess zip tie ends. Note that the bottom of the banner must be 13 feet or more above the bottom of the light pole base on the street. For pedestrian light poles, 7 to 8 feet tabove grade/ sidewalk.

On The top mount, note that the spring side is on the "outer" portion **below** the pole



At minimum, you should install 2 straps on "outer" or spring side of the unit. This is where the most tension is on the unit. You can have 1 or 2 straps on the "inner" side.

or

